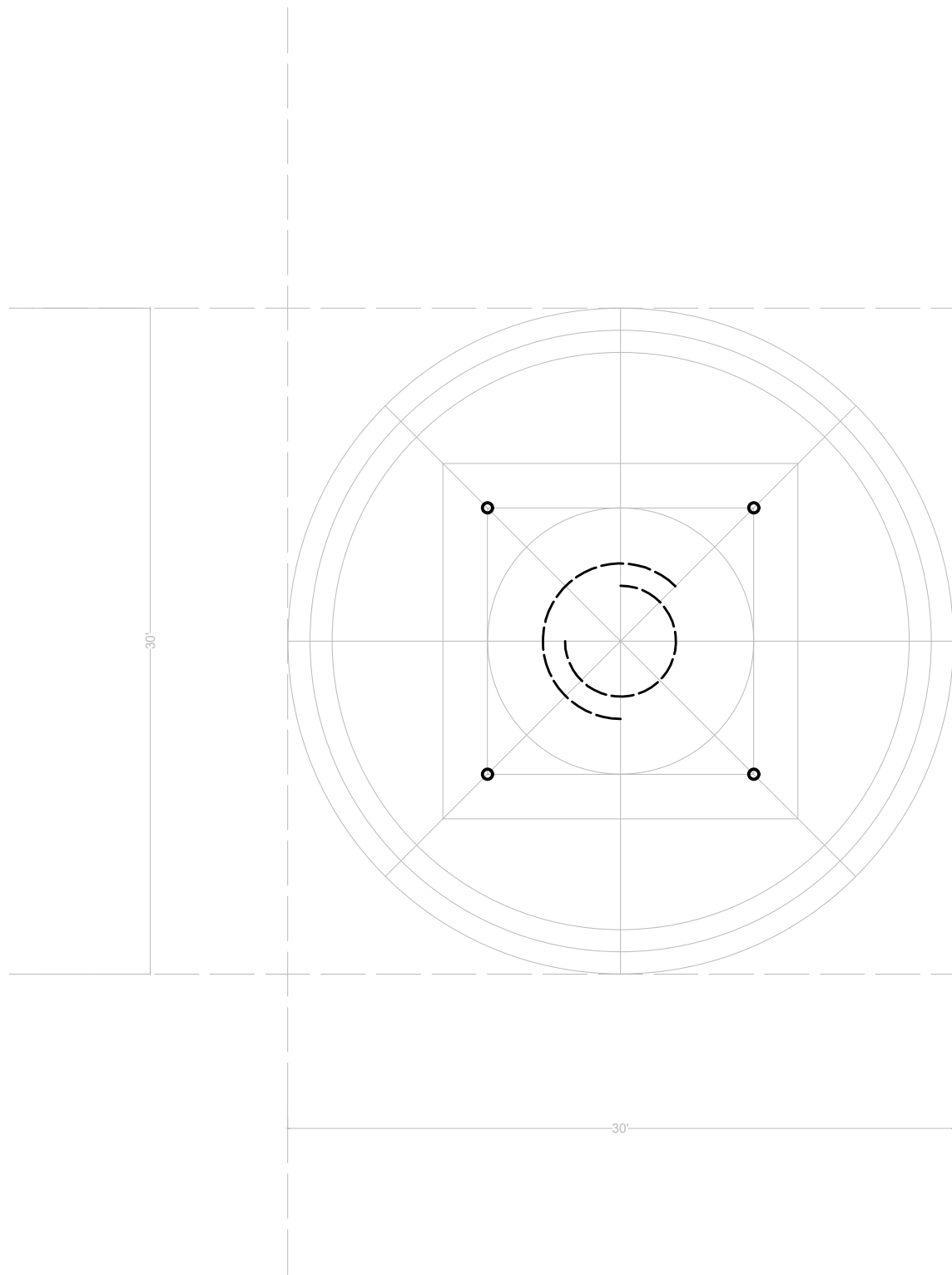


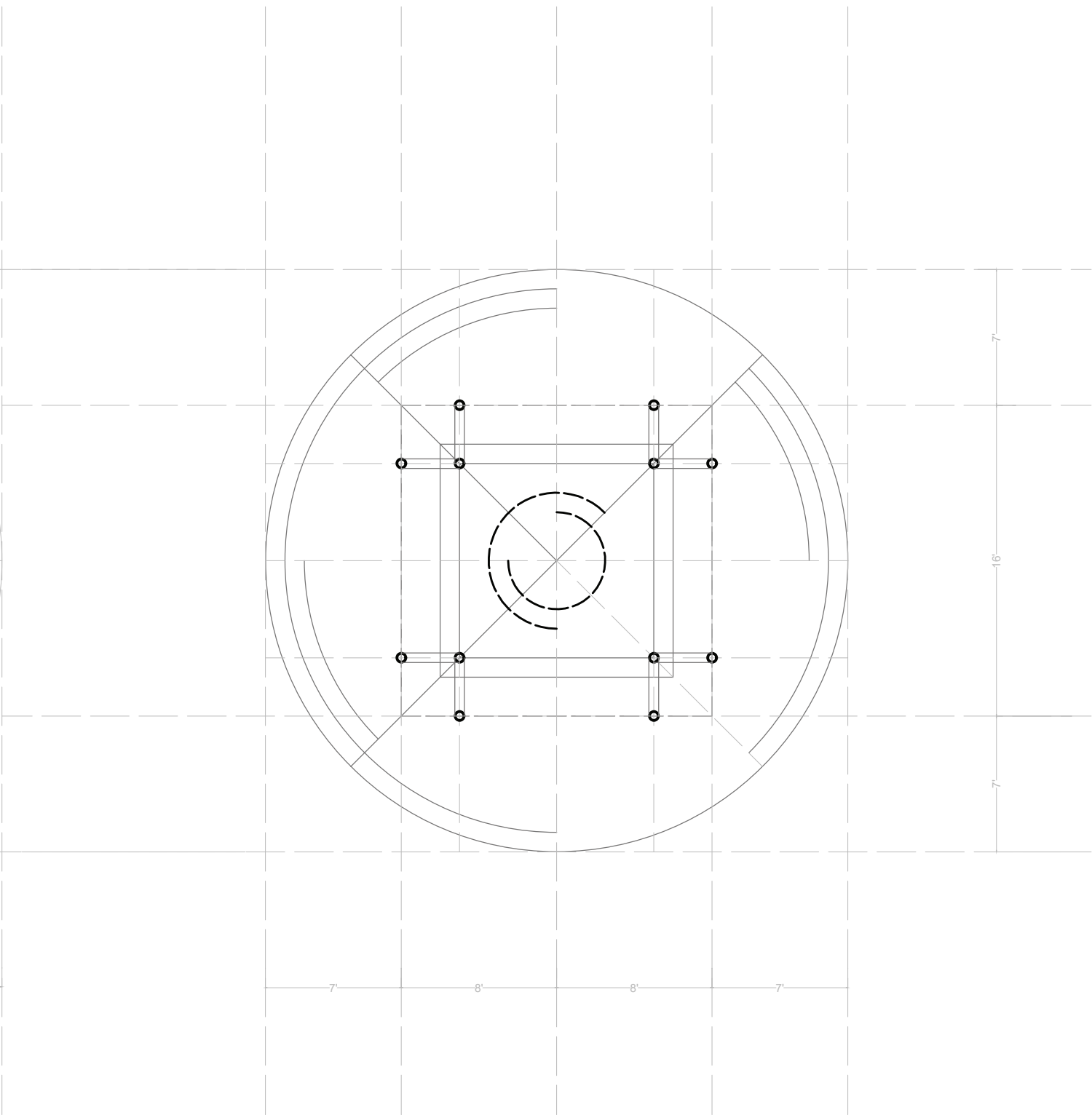
**INSTALLATION DESIGN for LEAKY ARCHIVE PROJECT, RJM**  
**on Julius Konietzko Colonial Archive Photographs**

LOCATION: RANGAMATI, BANGLADESH

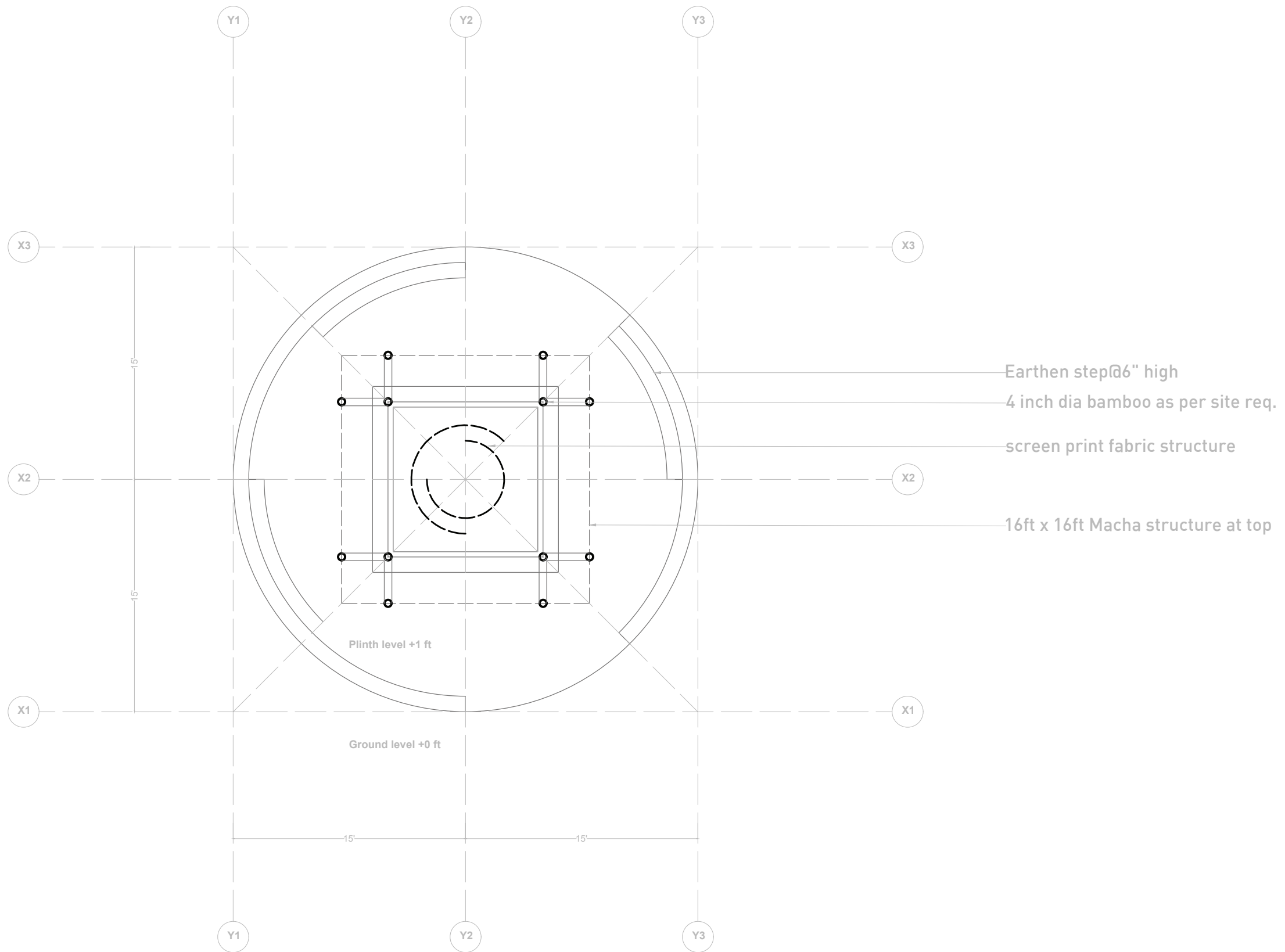
Concept: Emdadul Hoque Topu  
Spatial Design: Shamim Ahmed



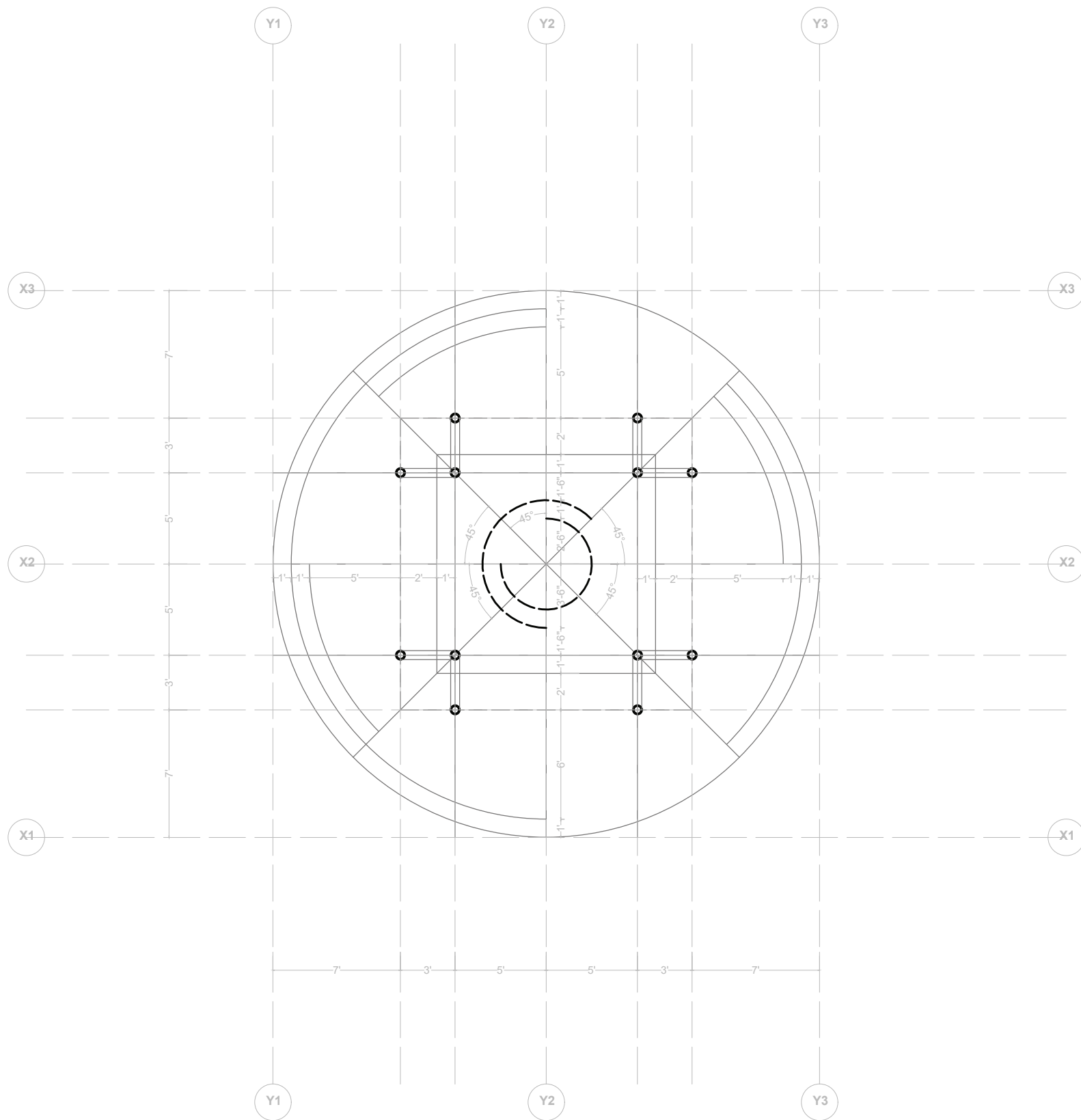
**BASIC FORMATION**



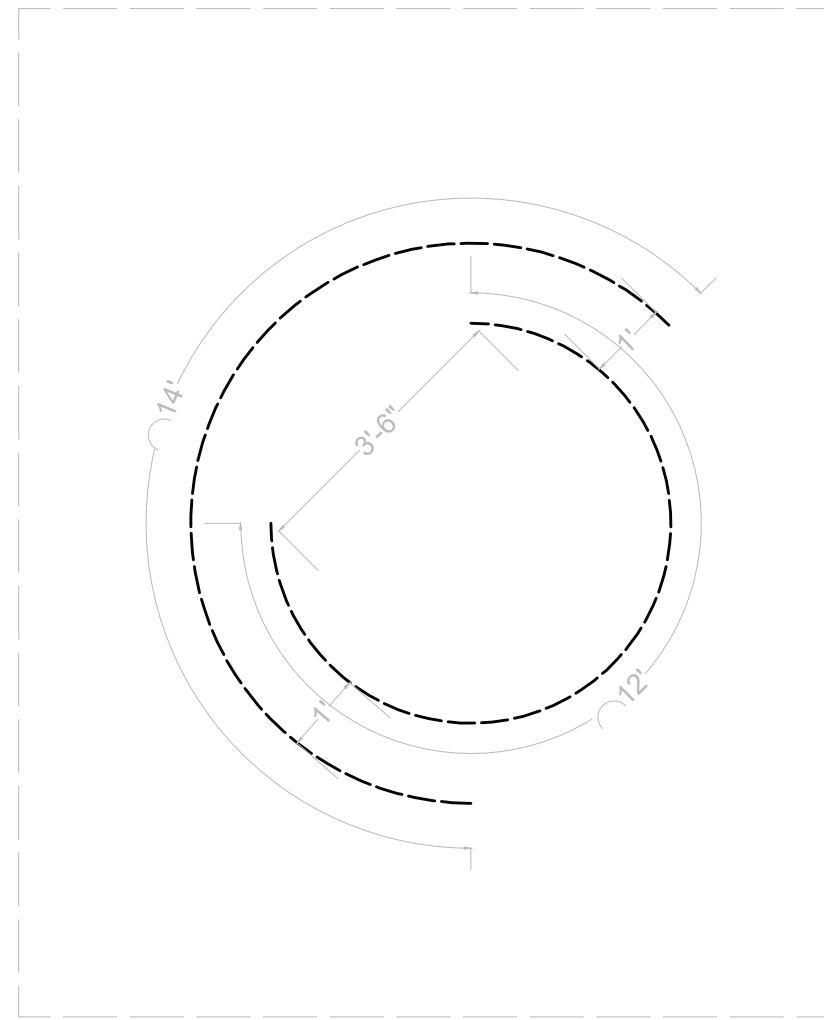
**FORMATION 2**



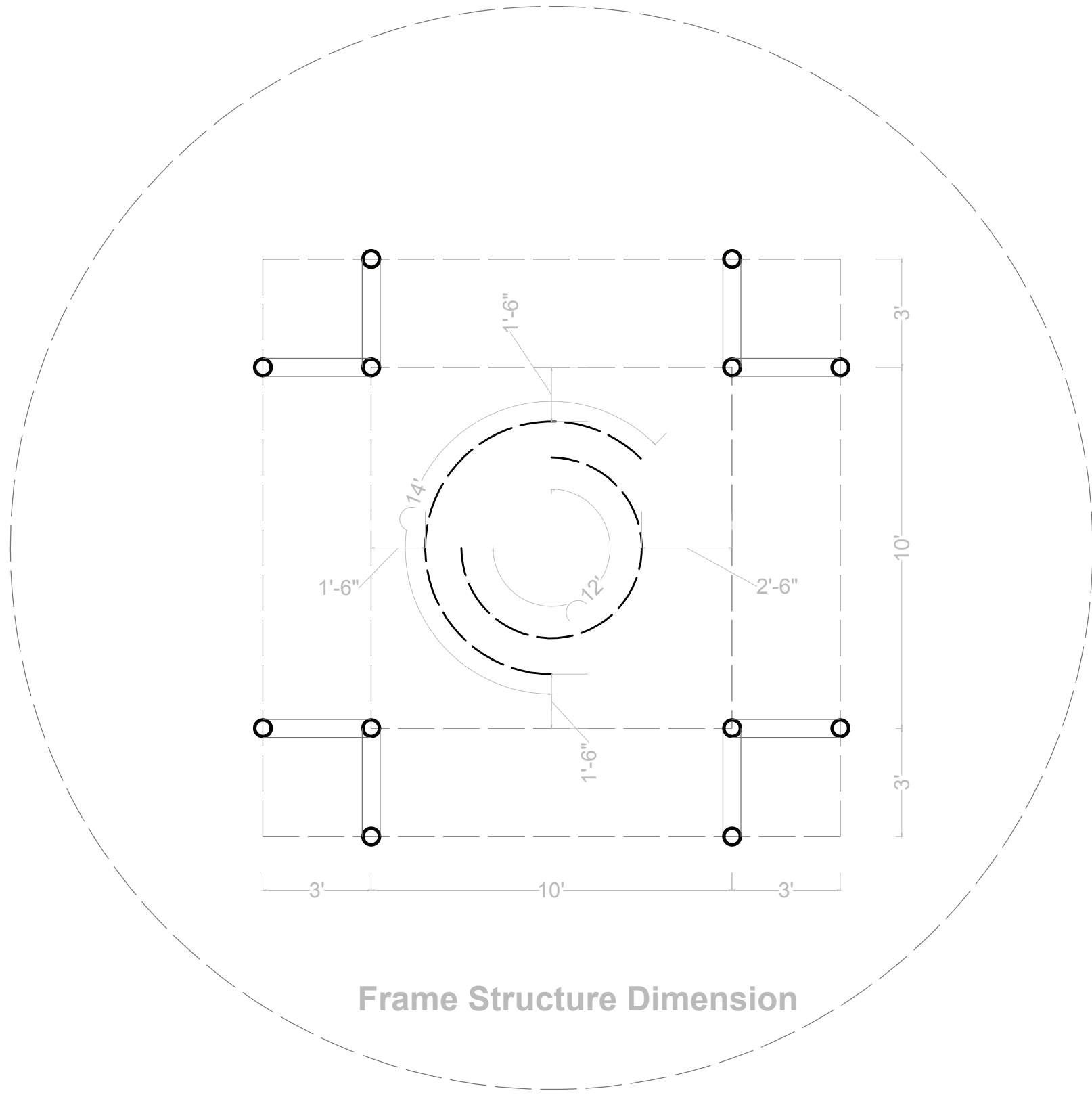
PLAN @5ft level



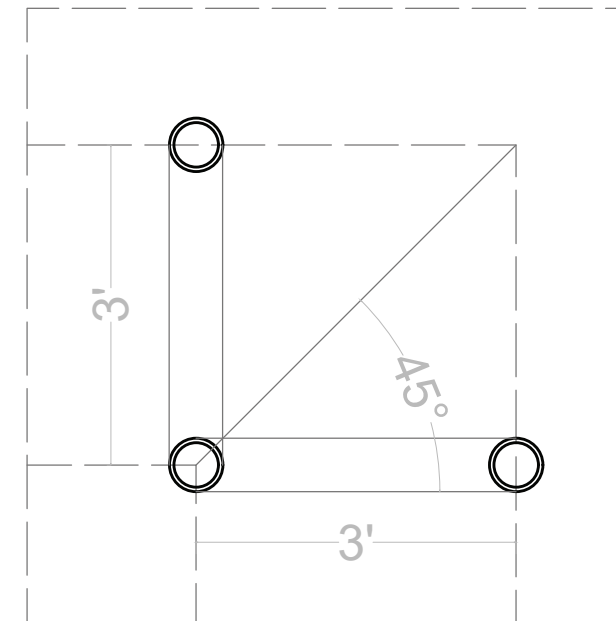
Detail Dimension



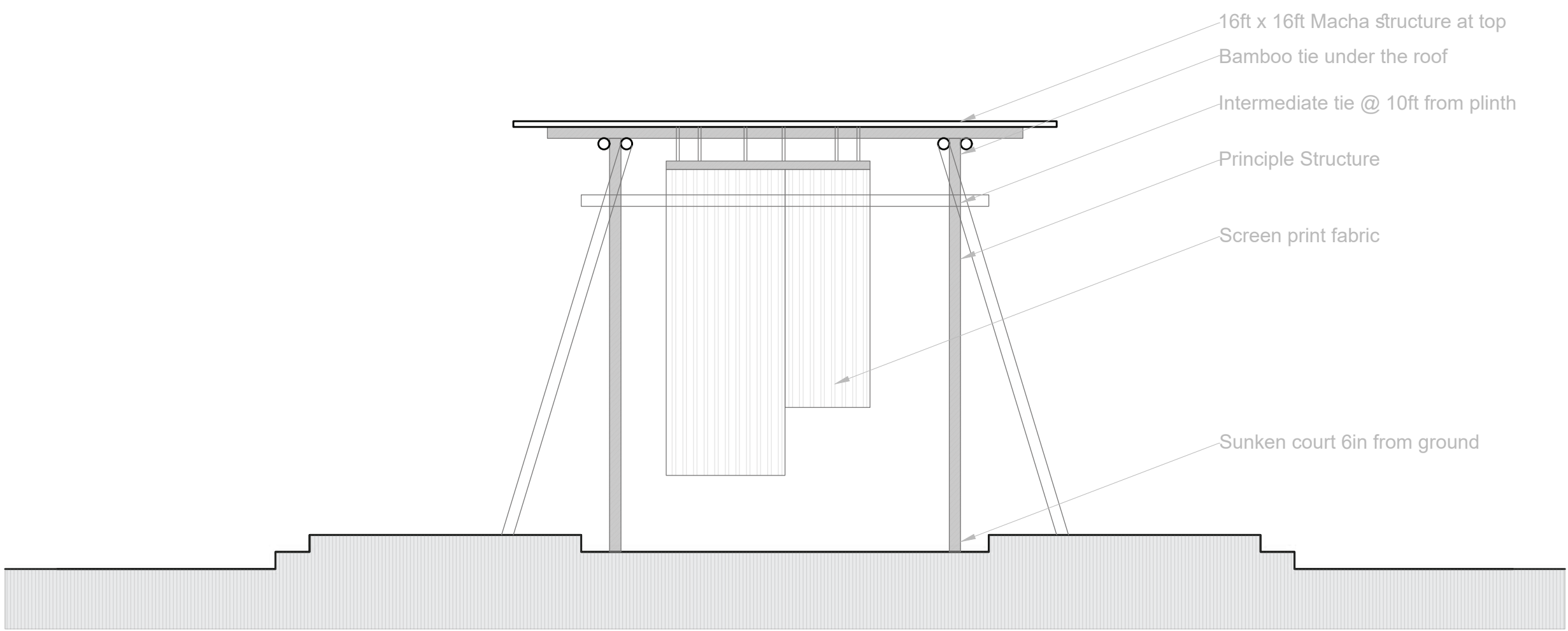
Fabric Frame Structure Dimension

**Frame Structure Dimension**



**Bamboo placement**



16ft x 16ft Macha structure at top

Bamboo tie under the roof

Intermediate tie @ 10ft from plinth

Principle Structure

Screen print fabric

Sunken court 6in from ground

Section

